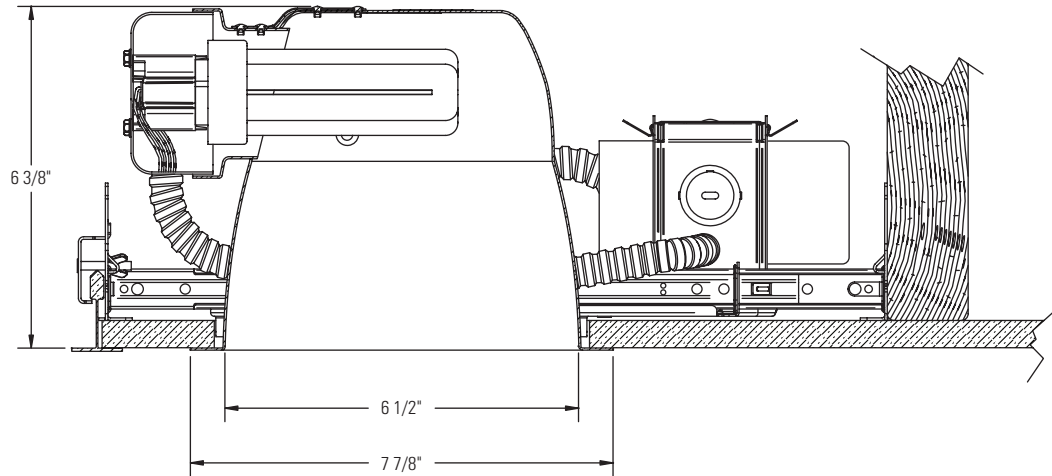


Lytecaster® Performance Recessed CFL Downlighting **1101HIE**

Page 1 of 2

6 ¾" Aperture Horizontal Open Downlight, Compact Fluorescent, Performance Series, Integrated Emergency, Reflector Trim



Complete Fixture consists of Frame-In Kit and Reflector Trim. Select each separately.

Uniframe™ Compact Fluorescent Performance Series Reflector Trims		Compatible Frame In Kits (See Individual Frame-In Kit Specification Sheets)		
Catalog No.	Description	Catalog No.	Installation Type	Lamping
1101HCLIE	6 ¾" Horizontal Open Downlight - Integrated Emergency - Specular Clear	1101F2642UEL	Uniframe™ Non-IC High-Lumen Emergency 120/277V	26W Quad/Triple
1101HCDIE	6 ¾" Horizontal Open Downlight - Integrated Emergency - Clear Diffuse			32W Triple 42W Triple

Features

- Reflector:** Formed aluminum. Matte White flange.
- Finishes:** CL = Specular Clear (Iridescent Free coating)
CD = Clear Diffuse
- Performance Data:** 60° Cutoff angle.
See attached photometric reports for distribution and efficiency data.
Go to www.lightolier.com for .IES files.

Labels

cULus Listed. Suitable for Damp Locations. I.B.E.W.

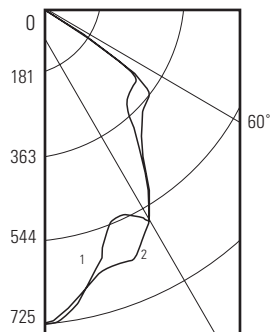
Job Information	Type:
Job Name:	
Cat. No.:	
Lamp(s):	
Notes:	

Lightolier a Genlyte company www.lightolier.com
 631 Airport Road, Fall River, MA 02720 • (508) 679-8131 • Fax (508) 674-4710
 We reserve the right to change details of design, materials and finish.
 © 2007 Genlyte Group LLC • A1207

LIGHTOLIER®

Lytecaster® Performance Recessed CFL Downlighting **1101HIE**

32W TRIPLE TUBE LAMP, LUMEN RATING = 2200 LMS, ELECTRONIC BALLAST, CL FINISH TRIM



SC = 1.1 1 = 90° 30°
 2 = 0°
 CERTIFIED TEST REPORT NO. 3166FR
 COMPUTED BY LSI PROGRAM
 TEST-LITE

CANDLEPOWER SUMMARY			ZONAL LUMEN SUMMARY		ZONAL LUMENS AND PERCENTAGES			
Angle	0° CP	90° CP	Zone	Lumens	Zone	Lumens	%Lamp	%Fixt
0	720	720	0-10	68.47	0-30	516.68	23.5	38
5	722	725	10-20	181.71	0-40	827.14	37.6	60.9
10	689	697	20-30	266.5	0-60	1337.28	60.8	98.5
15	641	633	30-40	310.46	0-90	1357.97	61.7	100
20	626	558	40-50	281.1	90-120	0	0	0
25	621	535	50-60	229.04	90-150	0	0	0
30	573	569	60-70	13.53	90-180	0	0	0
35	492	483	70-80	4.17	0-180	1357.97	61.7	100
40	416	399	80-90	2.98				
45	383	336	90-100	0				
50	366	321	100-110	0				
55	318	306	110-120	0				
60	42	44	120-130	0				
65	9	9	130-140	0				
70	5	6	140-150	0				
75	4	4	150-160	0				
80	3	3	160-170	0				
85	2	3	170-180	0				
90	2	3						

** Efficiency = 61.7% **

COEFFICIENTS OF UTILIZATION												
Ceiling	80%				70%				50%			
	70	50	30	10	50	10	50	10	50	10	0	
Wall												
RCR	Zonal Cavity Method - Effective Floor Reflectance = 20%											
Room Cavity Ratio	0	73	73	73	73	72	72	69	69	66	66	
1	69	67	65	63	65	62	63	60	61	58	55	
2	64	60	57	54	59	54	57	52	55	51	49	
3	59	54	50	47	53	47	52	46	50	45	43	
4	55	49	44	41	48	41	47	40	45	40	38	
5	51	44	40	36	44	36	42	36	41	35	34	
6	48	40	36	32	40	32	39	32	38	34	31	
7	44	37	32	29	36	29	35	28	35	31	28	
8	41	34	29	26	33	26	33	26	32	28	26	
9	39	31	27	23	31	23	30	23	30	26	23	
10	36	29	24	21	29	21	28	21	27	24	21	

Determined In Accordance With Current IES Published Procedures
 Luminaire Input Watts = 33.0

Job Information **Type:**

Lightolier a Genlyte company www.lightolier.com
 631 Airport Road, Fall River, MA 02720 • (508) 679-8131 • Fax (508) 674-4710
 We reserve the right to change details of design, materials and finish.
 © 2007 Genlyte Group LLC • A1207

LIGHTOLIER®